

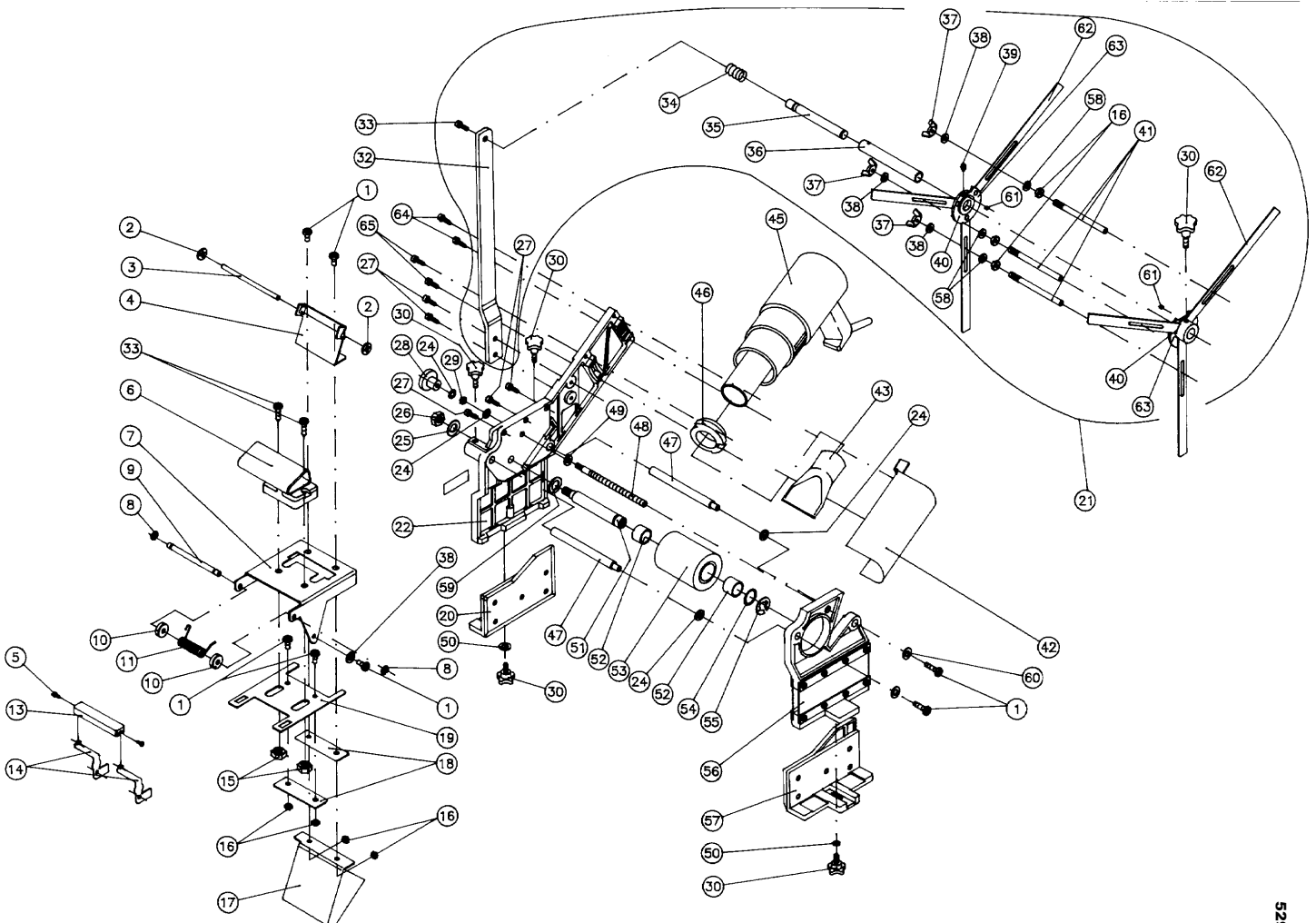


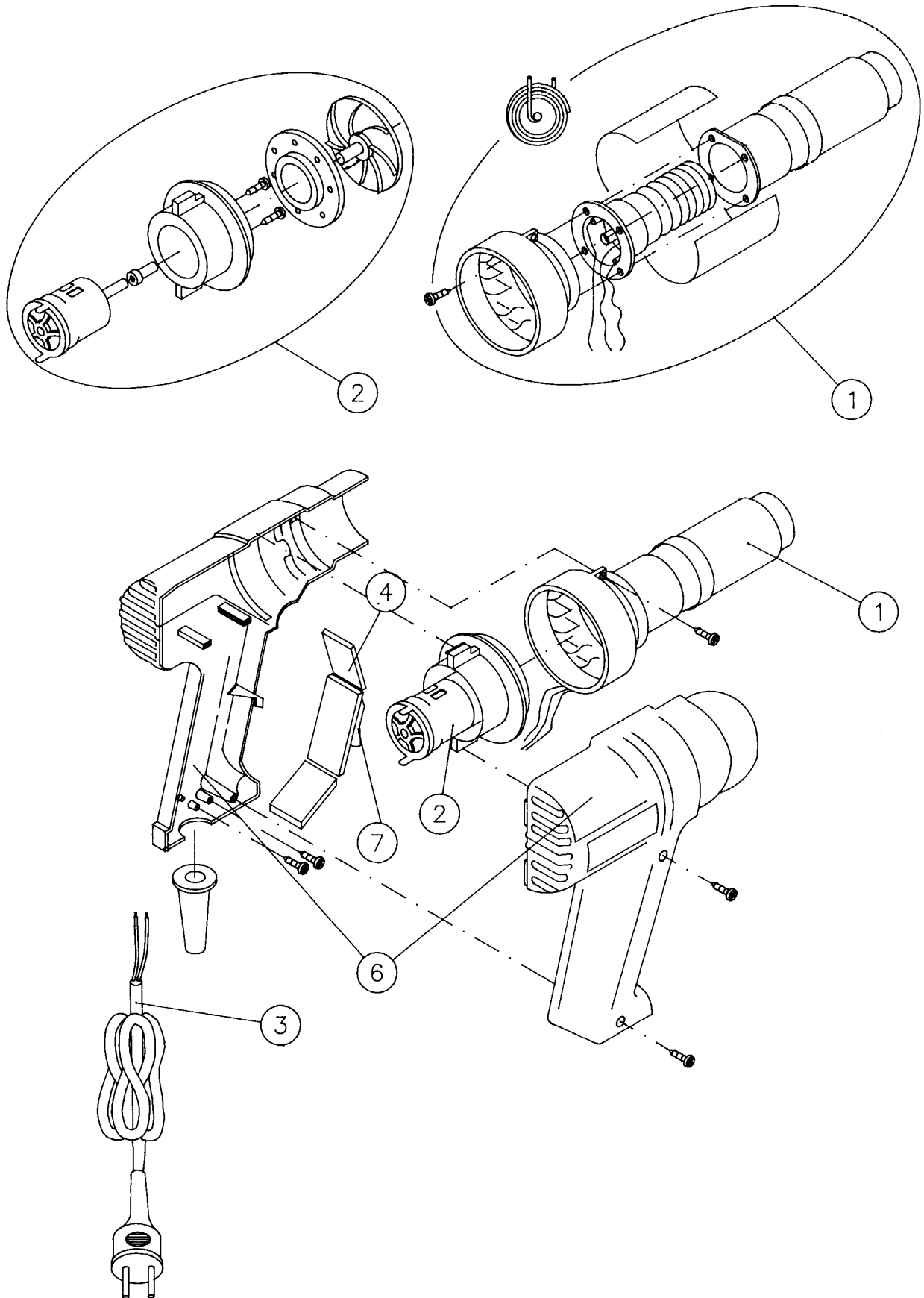
**Technical information**  
Explosion drawing and parts list

**Edgebander AG98F (Ref. 5200200)**  
Edition 960422A

Pos.	Code	Item	Pos.	Code	Item	Pos.	Code	Item
1	1672008	PAN HD. SCREW M. 4X10 PH.	27	1970001	PAN HD. TAPPING SCREW 8X1/2 PH.B.	52	3812002	SELF LUBRICATED BEARING A-12X17X12
2	5284002	ARANLOCK	28	1125003	KNOB	53	5204021	PRESSER ROLLER
3	5221074	ROD	29	2085002	HEX. NUT M.6	53	5246025	INCLINED ROLLER WITH BEARINGS (AG98)
4	5234048	FAN GUIDE	30	1025106	KNOB M5X15	53	5246026	ROLLER WITH BEARINGS
5	1370002	PAN HD. TAPPING SCREW 6X3/8 PH.BZ.	32	5234051	ARM HOLDER	54	3880008	WASHER
6	3002020	HANDLE KNOB	33	1472017	PAN HD. SCREW M. 4X15 PH.	55	3888039	RETAINING RING
7	5234046	CUTTER BLOCK	34	5226038	SPRING	56	5246011	ADJUSTABLE CLAMP ASS'Y
8	9588003	RETAINING RING D.4	35	5221087	SHAFT	57	5246010	LEFT PRESSER ASS'Y
9	5221077	SHAFT	36	5222009	SHAFT	58	3883002	WASHER AET D.4,3
10	5221081	SHAFT SUPPLEMENT	37	5289025	WING NUT	59	2023022	WASHER
11	5226028	SPRING	38	1680026	WASHER	60	9581010	TOOTHED WASHER «J» D.4
13	5203020	HANDLE	39	5275049	HEX. SOCKET SET SCREW M.5X6	61	5285011	NUT M.5
14	5234050	LEVER	40	5245046	FEEDER RING WITH WINGS	62	5234053	FLIGHT
15	5221076	STOP NUT	41	5222014	ROD	63	5203088	FLIGHT HOLDER
16	2385005	HEX. NUT M.4	42	5245168	PROTECTOR ASS'Y	64	8678008	SCREW M.4X10 PH.
17	5234047	DEFLECTOR	43	5234054	PIPE	65	8678009	SCREW M.4X15 PH.
18	5231010	BLADE FOR AG-98	45	5245169	HEATER UNIT 230 V.		5294087	CARTON PACKING
19	5234049	CUTTER BLOCK SLIDE	45	5245170	HEATER UNIT 110 V.			
20	5246009	RIGHT PRESSER ASS'Y	46	5299034	INSULATING RING			
21	5245047	FEEDER ASS'Y AG98	47	5221050	GUIDE ROD			
22	5206177	FIXED BODY	48	5229077	REGULATION SPINDLE			
24	2080002	WASHER	49	1683004	DISC SPRING			
25	4383008	WASHER AET D.8,4	50	2280004	WASHER			
26	1185003	HEX. NUT M.8	51	5221029	ROLLER SHAFT			

**EXPLOSION DRAWING**







<b>Virutex</b>			
50 Hill Street, #509			
Southampton, NY 11968			
Phone: 1-800-868-9663			
Fax: 631-537-2396			
<b>Model: AG98-F</b>			
<b>2008</b>			
<b>POS.</b>	<b>CODE</b>	<b>ITEM</b>	<b>List price</b>
PARTS LIST			
5200200-AG98F EDGE BANDER			
<b>POS.</b>	<b>CODE</b>	<b>DESCRIPTION</b>	
1	1672008	PAN HD. SCREW M. 4X10 PH.	\$1.00
2	5284002	ARANLOCK	\$1.00
3	5221074	ROD	\$2.06
4	5234048	FAN GUIDE	\$7.50
5	1370002	PAN HD. TAPPING SCREW 6X3/8 PH.BZ.	\$1.00
6	3002020	HANDLE KNOB	\$7.50
7	5234046	CUTTER BLOCK	\$15.00
8	9588003	RETAINING RING D.4	\$1.00
9	5221077	SHAFT	\$4.00
10	5221081	SHAFT SUPPLEMENT	\$2.25
11	5226028	SPRING	\$3.75
13	5203020	HANDLE	\$5.63
14	5234050	LEVER	\$3.75
15	5221076	STOP NUT	\$3.00
16	2385005	HEX. NUT M.4	\$1.00
17	5234047	DEFLECTOR	\$7.50
18	5231010	BLADE set FOR AG-98	\$30.00
19	5234049	CUTTER BLOCK SLIDE	\$7.50
20	5246009	RIGHT PRESSER ASS'Y	\$35.00
21	5245047	FEEDER ASS'Y AG98	\$3.75
22	5206177	FIXED BODY	\$56.25
24	2080002	WASHER	\$1.00
25	4383008	WASHER AET D.8,4	\$1.00
26	1185003	HEX. NUT M.8	\$1.00
27	1970001	PAN HD. TAPPING SCREW 8X1/2 PH.B.	\$1.00
28	1125003	KNOB	\$3.00
29	2085002	HEX. NUT M.6	\$1.00
30	1025106	KNOB M5X15	\$4.88
32	5234051	ARM HOLDER	\$18.75
33	1472017	PAN HD. SCREW M. 4X15 PH.	\$1.00
34	5226038	SPRING	\$2.81
35	5221087	SHAFT	\$10.31
36	5222009	SHAFT	\$7.50
37	5289025	WING NUT	\$1.13
38	1680026	WASHER	\$1.00
39	5275049	HEX. SOCKET SET SCREW M.5X6	\$1.88
40	5245046	FEEDER RING WITH WINGS	\$13.75
41	5222014	ROD	\$3.19
42	5245168	PROTECTOR ASS'Y	\$15.00
43	5234054	PIPE	\$17.50
45	5245169	HEATER UNIT 230 V.	
45	5245170	HEATER UNIT 110 V.	\$159.00
46	5299034	INSULATING RING	\$5.63
47	5221050	GUIDE ROD	\$4.69
48	5229077	REGULATION SPINDLE	\$4.69
49	1683004	DISC SPRING	\$1.88
50	2280004	WASHER	\$1.00
51	5221029	ROLLER SHAFT	\$13.75
52	3812002	SELF LUBRICATED BEARING A-12X17X12	\$3.75
53	5204021	PRESSER ROLLER	
53	5246025	INCLINED ROLLER WITH BEARINGS (AG98)	\$26.25
53	5246026	ROLLER WITH BEARINGS	\$32.50
54	3880008	WASHER	\$1.00
55	3888039	RETAINING RING	\$1.00
56	5246011	ADJUSTABLE CLAMP ASS'Y	\$136.25
57	5246010	LEFT PRESSER ASS'Y	\$38.75
58	3883002	WASHER AET D.4,3	\$1.00
59	2023022	WASHER	\$1.00
60	9581010	TOOTHED WASHER "J" D.4	\$1.00
61	5285011	NUT M.5	\$1.00
62	5234053	FLIGHT	\$3.75
63	5203088	FLIGHT HOLDER	\$3.75
64	8678008	SCREW M.4X10 PH.	\$1.00
65	8678009	SCREW M.4X15 PH.	\$1.00
	5294087	CARTON PACKING	

## AG98F-Heat gun

Parts list			
5245169-Heater Unit			
			<b>2008</b>
<b>Pos.</b>	<b>Code</b>	<b>Description</b>	<b>List Price</b>
1	5268085	SPARE HEATING RESISTOR (220 V.)	use 5268091
1	5268091	SPARE HEATING RESISTOR (110 V.)	\$65.00
2	5268087	MOTOR ASS'Y (220 V.)	use 5268090
2	5268090	MOTOR ASS'Y (110 V.)	\$45.00
3	5246017	CORD ASS'Y (EUROPE)	use 5246020
3	5246020	CORD ASS'Y (AMERICA)	\$25.00
4	5268110	SWITCH ASS'Y (110 V.)	\$35.00
4	5268149	SWITCH ASS'Y (2200 V.)	use 5268110
6	5268148	HOUSING	\$50.00
7	5215024	SWITCH	\$25.00