

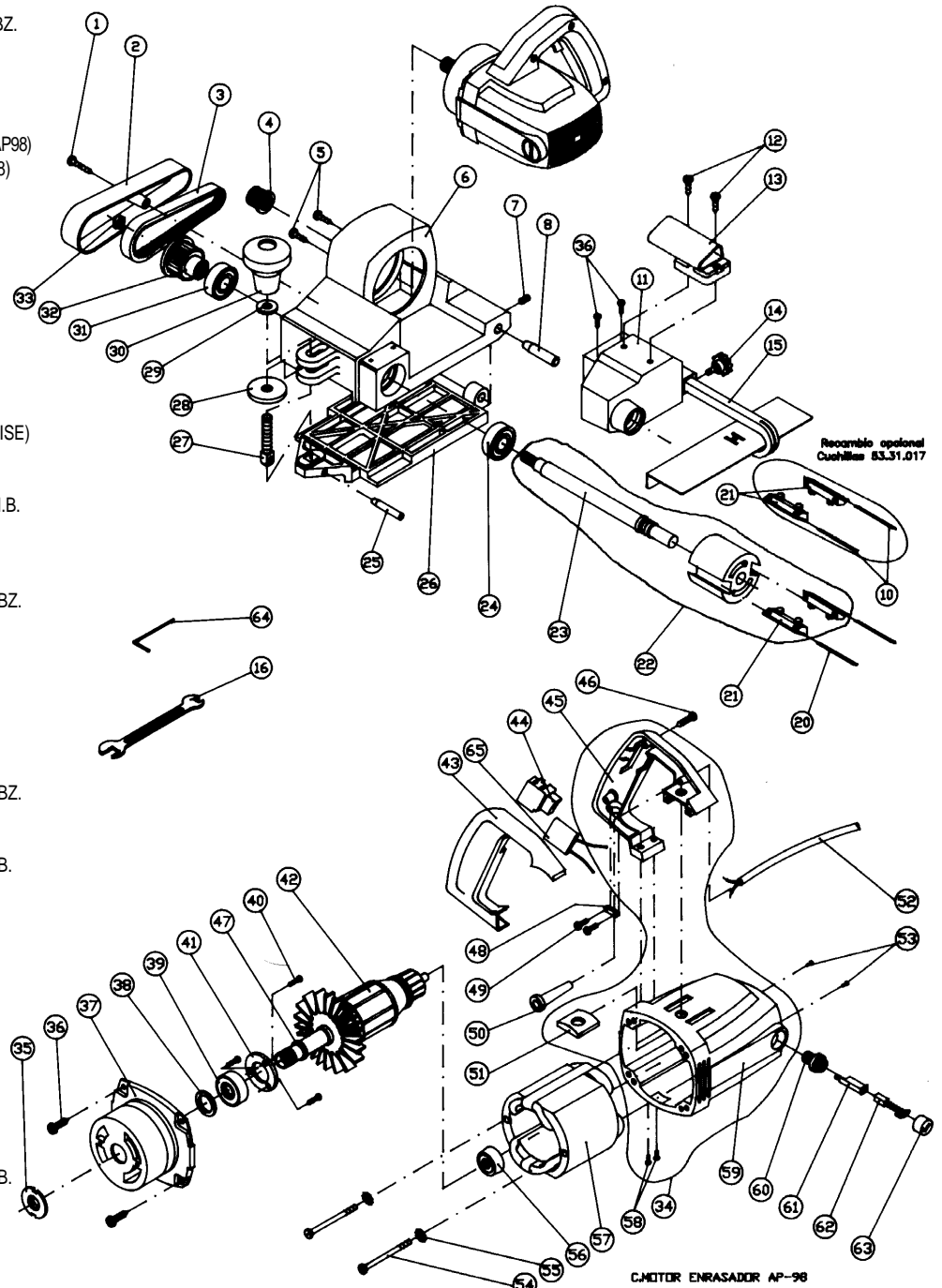


**Technical information**  
 Explosion drawing and parts list

**Edge lipping planer AP98 (Ref. 5300000)**  
 Edition 930607B

**Pos. Code Item EXPLOSION DRAWING**

- |    |         |                                       |
|----|---------|---------------------------------------|
| 1  | 8070015 | PAN HD. TAPPING SCREW 12X1 1/2 PH.B.  |
| 2  | 5303096 | BELT COVER                            |
| 3  | 6587043 | BELT P-75/AP-98                       |
| 4  | 6587042 | PULLEY                                |
| 5  | 6670020 | PAN HD. TAPPING SCREW 10X7/8 PH.B.    |
| 6  | 5307015 | BODY                                  |
| 7  | 1175005 | HEX. SOCKET SET SCREW M.6X12          |
| 8  | 6527013 | PIVOT PIN                             |
| 10 | 5346071 | HSS REVERSIBLE BLADES SET (AP98)      |
| 11 | 6501091 | GUARD                                 |
| 12 | 3070010 | PAN HD. TAPPING SCREW 8X14 PH.B.Z.    |
| 13 | 3002020 | HANDLE KNOB                           |
| 14 | 1025101 | KNOB M6X17                            |
| 15 | 3546021 | GUIDE                                 |
| 16 | 5323141 | WRENCH 8 mm.                          |
| 20 | 5346072 | CARBIDE TIPP REVERSIBLE BLADES (AP98) |
| 21 | 5399059 | REVERSIBLE BLADES HOLDER (AP98)       |
| 22 | 5346033 | CUTTER BLOCK                          |
| 24 | 6510012 | BALL BEARING 6003-2RS                 |
| 25 | 9099010 | ROLL PIN 6X40                         |
| 26 | 6501090 | BASE                                  |
| 27 | 6529022 | SET SCREW                             |
| 28 | 6527012 | REGULATING NUT                        |
| 29 | 5080007 | WASHER                                |
| 30 | 6525027 | REGULATING KNOB                       |
| 31 | 1210001 | BALL BEARING 6202                     |
| 32 | 6587041 | PULLEY                                |
| 33 | 6585009 | HEX. NUT M.10 (COUNTERCLOCK-WISE)     |
| 34 | 5346016 | HOUSING ASS'Y WITH HANDLE             |
| 35 | 2722077 | LOCK NUT                              |
| 36 | 2070009 | PAN HD. TAPPING SCREW 10X3/4 PH.B.    |
| 37 | 5307016 | MOTOR COVER                           |
| 38 | 2733072 | FELT PACKING                          |
| 39 | 2710020 | BALL BEARING 6003-ZZ                  |
| 40 | 1370002 | PAN HD. TAPPING SCREW 6X3/8 PH.B.Z.   |
| 41 | 2033031 | RETAINER                              |
| 42 | 5351048 | ARMATURE ASS'Y 220/240 V.             |
| 42 | 5351050 | ARMATURE ASS'Y 110/127 V.             |
| 42 | 5351051 | ARMATURE 240 V.                       |
| 43 | 9502056 | HANDLE COVER                          |
| 44 | 3515034 | SWITCH                                |
| 45 | 2702017 | HANDLE                                |
| 46 | 3570025 | PAN HD. TAPPING SCREW 8X7/8 PH.B.Z.   |
| 47 | 6088024 | RETAINING RING SW-17                  |
| 48 | 4302025 | CORD CLAMP                            |
| 49 | 1970001 | PAN HD. TAPPING SCREW 8X1/2 PH.B.     |
| 50 | 8002043 | CORD ARMOR                            |
| 51 | 9502057 | HANDLE LOCK                           |
| 52 | 2300029 | CORD ASS'Y (EUROPE)                   |
| 52 | 2300030 | CORD ASS'Y (AMERICA)                  |
| 53 | 6478001 | SCREW M4X8PH                          |
| 54 | 9570044 | PAN HD. TAPPING SCREW 8X63            |
| 55 | 9581010 | TOOTHED WASHER «J» D.4                |
| 56 | 1910002 | BALL BEARING 608-Z                    |
| 57 | 2755030 | STATOR ASS'Y 220 V.                   |
| 57 | 2755031 | STATOR ASS'Y 110 V.                   |
| 57 | 2755033 | STATOR ASS'Y 127 V.                   |
| 57 | 2755034 | STATOR ASS'Y 240 V.                   |
| 58 | 9570012 | PAN HD. TAPPING SCREW 8X3/8 PH.B.     |
| 59 | 5303084 | HOUSING                               |
| 60 | 6018008 | BRUSH HOLDER INSULATOR                |
| 61 | 6018007 | BRUSH HOLDER                          |
| 62 | 2417021 | CARBON BRUSHES SET                    |
| 63 | 6018011 | BRUSH CAP                             |
| 64 | 1699021 | WRENCH                                |
| 65 | 9168121 | CAPACITOR                             |
| 66 | 2404188 | BUSHING                               |
| 67 | 9502254 | SCREW CAP                             |
| 68 | 2422166 | SCREW                                 |
|    | 5394001 | CARTON PACKING                        |



<b><u>Virutex</u></b>			
50 Hill Street, #509			
Southampton, NY 11968			
Phone: 1-800-868-9663			
Fax: 631-537-2396			
		<b><u>Model: AP98</u></b>	<b>2008</b>
<b><u>POS.</u></b>	<b><u>CODE</u></b>	<b><u>ITEM</u></b>	<b><u>List Price</u></b>
1	8070015	PAN HD. TAPPING SCREW 12X1 1/2 PH.B.	\$1.00
2	5303096	BELT COVER	\$8.75
3	6587043	BELT P-75/AP-98	\$22.50
4	6587042	PULLEY	\$20.00
5	6670020	PAN HD. TAPPING SCREW 10X7/8 PH.S.	\$1.00
6	5307015	BODY	\$106.25
7	1175005	HEX. SOCKET SET SCREW M.6X12	\$1.00
8	6527013	PIVOT PIN	\$8.25
10	5346071	HSS BLADE (Optional)	\$30.00
11	6501091	GUARD	\$41.25
12	3070010	PAN HD. TAPPING SCREW SX14 PH.BZ.	\$1.00
13	3002020	HANDLE KNOB	\$9.38
14	1025101	LOCK KNOB	\$7.50
15	3546021	GUIDE	\$28.75
16	5323141	WRENCH 8 mm.	\$5.63
20	5346072	BLADE	\$28.00
21	5399059	REVERSIBLE BLADES HOLDER (AP98)	\$33.19
22	5346033	CUTTER BLOCK ASS'Y (INCLUDING #21 & 23)	\$56.25
23	5320050	SHAFT (use #5346033 Ass'y)	
24	6510012	BALL BEARING 6003-2RS	\$15.00
25	9099010	ROLL PIN 6X40	\$4.69
26	6501090	BASE	\$50.00
27	6529022	SET SCREW	\$1.88
28	6527012	REGULATING NUT	\$7.50
29	5080007	WASHER	\$1.00
30	6525027	REGULATING KNOB	\$12.38
31	1210001	BALL BEARING 6202	\$16.25
32	6587041	PULLEY	\$18.75

33	6585009	HEX. NUT M.10 (COUNTERCLOCK-WISE)	\$1.88
34	5346016	HOUSING ASS'Y WITH HANDLE	\$45.00
35	2722077	LOCK NUT	\$10.13
36	2070009	PAN HD. TAPPING SCREW 10X3/4 PH.B.	\$1.00
37	5307016	MOTOR COVER	\$40.00
38	2733072	FELT PACKING	\$1.31
39	2710020	BALL BEARING 6003-ZZ	\$15.00
40	1370002	PAN HD. TAPPING SCREW 6X3/8 PH.SZ.	\$1.00
41	2033031	RETAINER	\$3.75
42	5351050	ARMATURE ASS'Y 110/127 V.	\$98.00
43	9502056	HANDLE COVER	\$9.38
44	3015014	SWITCH C/S.	\$27.50
45	2702017	HANDLE	\$18.19
46	3570025	PAN HD. TAPPING SCREW 8X7/8 PH.BZ.	\$1.00
47	6088024	RETAINING RING SW-17	\$1.88
48	4302025	CORD CLAMP	\$1.00
49	1970001	PAN HD. TAPPING SCREW 8X1/2 PH.B.	\$1.00
50	8002043	CORD ARMOR	\$4.69
51	9502057	HANDLE LOCK	\$4.69
52	2300030	CORD ASS'Y (AMERICA)	\$21.94
53	6478001	SCREW M4X8 PH	\$1.00
54	9570044	PAN HD.TAPPING SCREW 8X63	\$1.00
55	9581010	TOOTHED WASHER "J" D.4	\$1.00
56	1910002	BALL BEARING 608-Z	\$10.31
57	2755031	STATOR ASS'Y 110 V.	\$47.50
58	9570012	PAN HD. TAPPING SCREW 8X3/8 PH.B.	\$1.00
59	5303084	HOUSING	\$40.00
60	6018008	BRUSH HOLDER INSULATOR	\$4.69
61	6018007	BRUSH HOLDER	\$7.50
62	3017005	CARBON BRUSH	\$15.00
62	2417021	CARBON BRUSH (new code nbr. in furture)	\$18.75
63	6018011	BRUSH CAP	\$3.75
64	1699021	WRENCH	\$1.88
65	9168121	CAPACITOR	\$18.75
66	2404188	BUSHING	\$4.50
67	9502254	SCREW CAP	\$1.00
68	2422166	SCREW	\$1.88
	5394001	CARTON PACKING	