

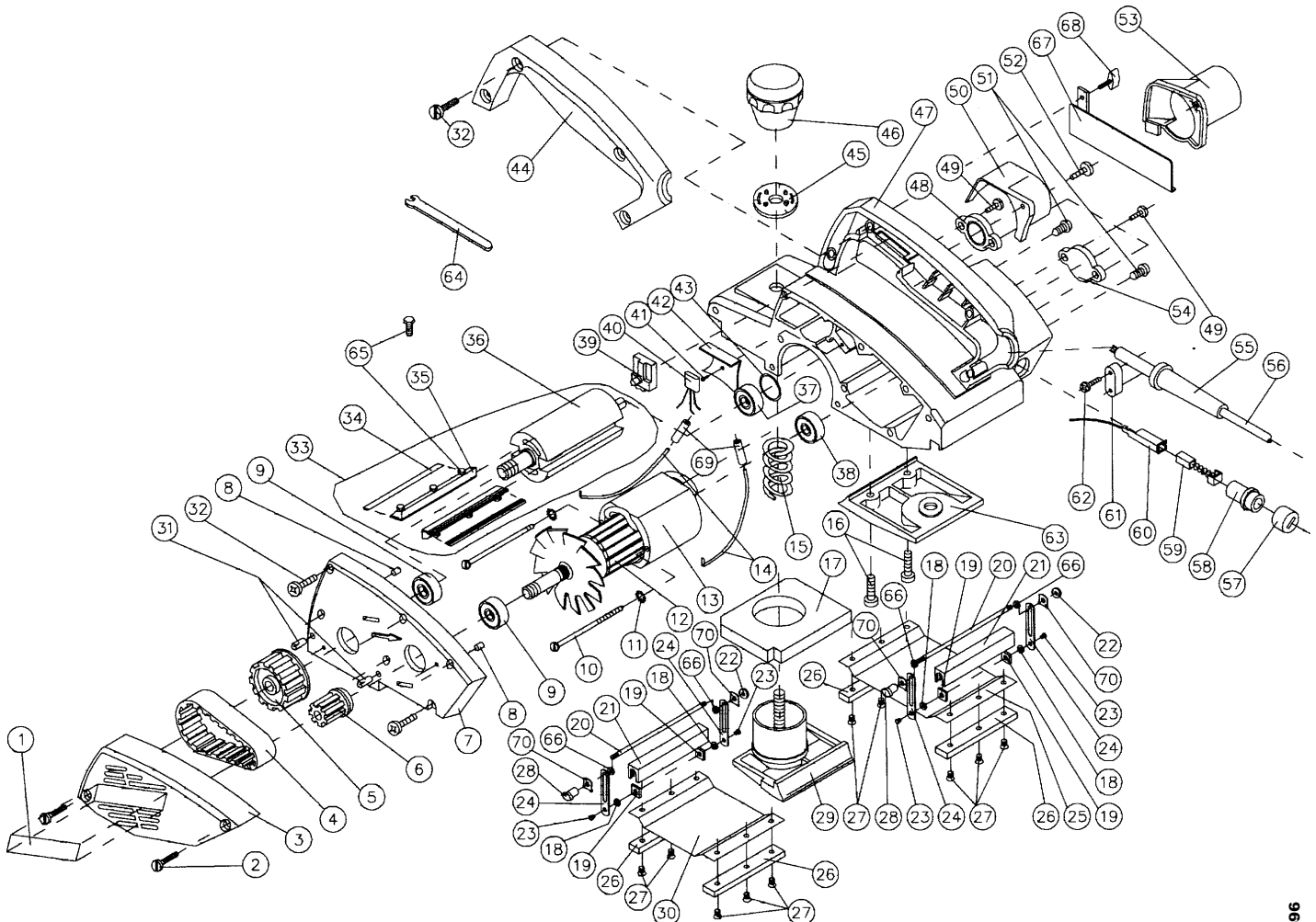


**Technical information**  
Explosion drawing and parts list

**Planer for curved surfaces CE96H (Ref. 9600000)**  
Edition 990526C

Pos.	Code	Item	Pos.	Code	Item	Pos.	Code	Item
1	3519145	LABEL	23	9621004	ADJUSTING SCREW	48	3524067	BEARING COVER
2	3570032	PAN HD. TAPPING SCREW 6X1 PH.BZ.	24	9623010	REGULATING ROD	49	1370002	PAN HD. TAPPING SCREW 6X3/8 PH.BZ.
3	3502072	BELT COVER	25	9623005	REAR SLIDE BASE	50	3502069	DUST GUIDE
4	3587079	BELT	26	9623001	BASE BRACKET	51	2070004	PAN HD. TAPPING SCREW 6X1/4 PH.BZ
5	3587076	PULLEY	27	7278014	SCREW	52	1170003	PAN HD. TAPPING SCREW 6X5/8 PH.B.
6	3587077	PULLEY	28	1025110	KNOB	53	3502102	VACUUM CLEANER CONNECTION
7	9601041	MOTOR COVER	29	9601040	SLIDE	54	3524067	BEARING COVER
8	3504030	RUBBER PIN	29	9645004	FRONT SLIDE ASS'Y	55	8002043	CORD ARMOR
9	3510010	BALL BEARING 6000-ZZ	30	9623003	FRONTAL SLIDE BASE	56	2300029	CORD ASS'Y (EUROPE)
10	1270047	PAN HD. TAPPING SCREW 6X5/7 PH.B.	31	3588029	ROLL PIN 5X16	56	2300030	CORD ASS'Y (AMERICA)
11	3581004	TOOTHED WASHER «A» D.3	32	3570025	PAN HD. TAPPING SCREW 8X7/8 PH.BZ.	57	1018003	BRUSH CAP
12	3551096	ARMATURE 110 V.	33	3546140	CUTTER BLOCK ASS'Y	58	3518021	BRUSH HOLDER
12	3551097	ARMATURE 230 V.	34	3540118	SPARE BLADES SET (TCT)	59	3517016	BRUSHES SET
12	3551098	ARMATURE 127 V.	35	3599101	BLADES CARTRIDGE	60	3518022	BRUSH HOLDER
13	3555087	STATOR 230 V.	36	3546174	CUTTER BLOCK	61	4302025	CORD CLAMP
13	3555088	STATOR 110 V.	37	1910002	BALL BEARING 608-Z	62	1970001	PAN HD. TAPPING SCREW 8X1/2 PH.B.
13	3555089	STATOR 127 V.	38	3510009	BALL BEARING 627-Z	63	9601040	SLIDE
14	3550111	CONNECTION STATOR/SWITCH	39	3515034	SWITCH	64	5323141	WRENCH 8 mm.
15	3526015	SPRING	40	3568133	CAPACITOR	65	2422166	SCREW
16	2070009	PAN HD. TAPPING SCREW 10X3/4 PH.B.	41	1989015	UNEX RIVET	66	9680018	WASHER
17	9604006	SLIDE JOINT	42	3524009	FAN GUIDE «A»	67	9645234	FENCE ASS'Y
18	9680009	WASHER	43	3583014	WASHER	68	1025100	KNOB M6X17
19	1685018	SQUARE NUT M.4	44	3503063	HANDLE COVER	69	3568220	FERRITE
20	9621036	ROD	45	3502194	WASHER	70	9623245	SCALE
21	9601003	BASE SUPPORT	46	6525027	REGULATING KNOB		9694178	CARTON BOX
22	9621022	NUT	47	9602033	HOUSING			

**EXPLOSION DRAWING**



## CE96H

<b><u>Virutex</u></b>			
50 Hill Street, #509			
Southampton, NY 11968			
Phone: 1-800-868-9663			
Fax: 631-537-2396			
PARTS LIST			
<b><u>960000-CE96H PLANER FOR CURVED SURFACES</u></b>			
			<b>2008</b>
<b><u>POS.</u></b>	<b><u>CODE</u></b>	<b><u>ITEM</u></b>	<b><u>List Price</u></b>
1	3519145	LABEL	
2	3570032	PAN HD. TAPPING SCREW 6X1 PH.BZ.	\$1.88
3	3502072	BELT COVER	\$10.00
4	3587079	BELT	\$16.88
5	3587076	PULLEY	\$13.13
6	3587077	PULLEY	\$11.25
7	9601041	MOTOR COVER	\$28.75
8	3504030	RUBBER PIN	\$1.00
9	3510010	BALL BEARING 6000-ZZ	\$13.13
10	1270047	PAN HD. TAPPING SCREW 6X57 PH.B.	\$1.00
11	3581004	TOOTHED WASHER "A" D.3	\$1.00
12	3551096	ARMATURE 110 V.	\$124.00
12	3551097	ARMATURE 230 V. (use 3551096)	
12	3551098	ARMATURE 127 V. (use 3551096)	
13	3555087	STATOR 230 V. (use 3555088)	
13	3555088	STATOR 110 V.	\$56.25
13	3555089	STATOR 127 V. (use 3555088)	
14	3550111	CONNECTION STATOR/SWITCH	\$5.63
15	3526015	SPRING	\$3.75
16	2070009	PAN HD. TAPPING SCREW 10X3/4 PH.B.	\$1.00
17	9604006	SLIDE JOINT	\$5.63
18	9680009	WASHER	\$1.00
19	1685018	SQUARE NUT M.4	\$1.00
20	9621036	ROD	\$3.75
21	9601003	BASE SUPPORT	\$13.13
22	9621022	NUT	\$7.50
23	9621004	ADJUSTING SCREW	\$3.75
24	9623010	REGULATING ROD	\$3.75
25	9623005	REAR SLIDE BASE	\$7.50
26	9623001	BASE BRACKET	\$3.75
27	7278014	SCREW	\$1.00
28	1025110	KNOB	\$9.38
29	9601040	SLIDE (use #9645004 ass'y in future)	\$24.38

## CE96H

29	9645004	FRONT SLIDE ASS'Y	\$45.00
30	9623003	FRONTAL SLIDE BASE	\$7.50
31	3588029	ROLL PIN 5X16	\$2.81
32	3570025	PAN HD. TAPPING SCREW 8X7/8 PH.BZ.	\$1.00
33	3546140	CUTTER BLOCK ASS'Y (including #34, 35, 36, 65)	\$42.50
34	3540118	SPARE BLADES SET (TCT)	\$32.00
35	3599101	BLADES CARTRIDGE	\$31.25
36	3546174	CUTTER BLOCK	\$33.75
37	1910002	BALL BEARING 608-Z	\$10.31
38	3510009	BALL BEARING 627-Z	\$11.25
39	3515034	SWITCH	\$25.00
40	3568133	CAPACITOR	\$18.75
41	1989015	UNEX RIVET	\$1.88
42	3524009	FAN GUIDE "A"	\$3.75
43	3583014	WASHER	\$1.88
44	3503063	HANDLE COVER	\$9.38
45	3502194	WASHER	\$3.75
46	6525027	REGULATING KNOB	\$12.38
47	9602033	HOUSING	\$47.50
48	3524067	BEARING COVER	\$3.75
49	1370002	PAN HD. TAPPING SCREW 6X3/8 PH.BZ.	\$1.00
50	3502069	DUST GUIDE	\$5.63
51	2070004	PAN HD. TAPPING SCREW 6XI/4 PH.BZ	\$1.00
52	1170003	PAN HD. TAPPING SCREW 6X5/8 PH.B.	\$1.00
53	3502102	VACUUM CLEANER CONNECTION	\$11.25
54	3524067	BEARING COVER	\$3.75
55	8002043	CORD ARMOR	\$4.69
56	2300029	CORD ASS'Y (EUROPE)-(use 2300030)	
56	2300030	CORD ASS'Y (AMERICA)	\$21.94
57	1018003	BRUSH CAP	\$3.75
58	3518021	BRUSH HOLDER	\$4.88
59	3517016	BRUSHES SET	\$15.00
60	3518022	BRUSH HOLDER	\$7.50
61	4302025	CORD CLAMP	\$1.88
62	1970001	PAN HD. TAPPING SCREW 8XI/2 PH.B.	\$1.00
63	9601040	SLIDE	\$18.75
64	5323141	WRENCH 8 mm.	\$5.63
65	2422166	SCREW	\$1.88
66	9680018	WASHER	\$1.00
67	9645234	FENCE ASS'Y	\$20.00
68	1025100	KNOB M6XI8	\$7.50
69	3568220	FERRITE	\$1.88
70	9623245	SCALE	\$1.13
	9694178	CARTON BOX	