

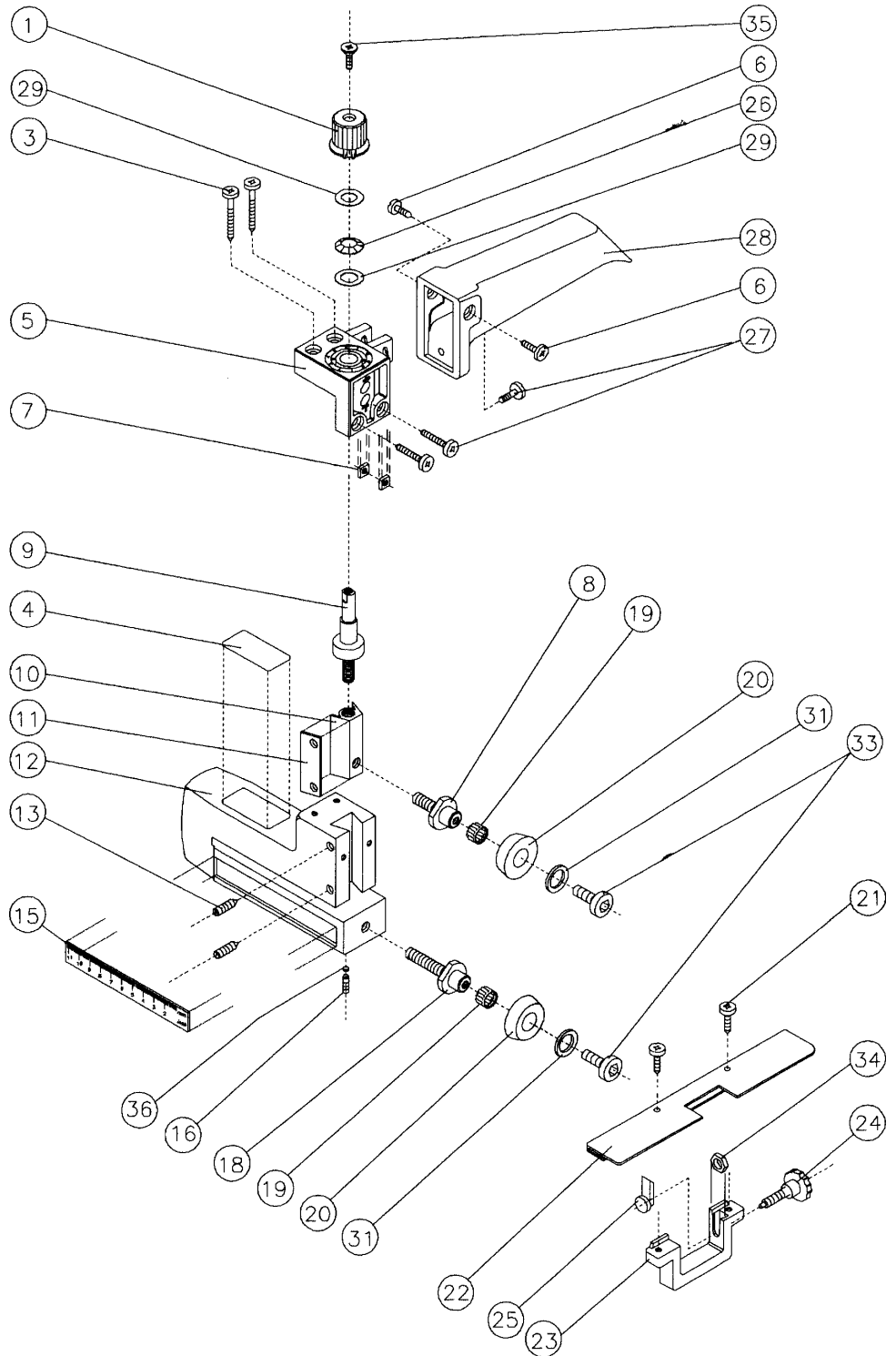


**Technical information**  
Explosion drawing and parts list

**Laminate cutter CO15E (Ref. 1500100)**  
Edition 981113D

**EXPLOSION DRAWING**

Pos.	Code	Item
1	1502174	REGULATING KNOB
3	7978004	SCREW M.4X25 PH.
4	1519131	LABEL
5	1502123	REGULATING HOLDER
6	1672008	PAN HD. SCREW M. 4X10 PH.
7	1685018	SQUARE NUT M.4
8	1528018	UPPER CUTTER SHAFT
9	1527101	SHAFT
10	1501035	SLIDE
11	1533004	ADAPTING PLATE
12	1506126	ALUMINIUM BODY
13	7575014	HEX. SOCKET SET SCREW M.4X10
15	1516146	LENGHT SCALE
16	1575026	HEX. SOCKET SET SCREW M.6X8
18	1528019	LOWER CUTTER SHAFT
19	1511009	NEADLE BEARING K
20	1527075	SET TWO WHEEL CUTTERS T78/AH97
21	6478002	SCREW M4X12 PH
22	1500099	LAMINATE FENCE ASS'Y
23	1506225	METAL BRACKET
24	1025101	KNOB M6X17
25	1502222	BRACKET STOPPER
26	2024084	SPRING WASHER E=0,4
27	8678009	SCREW M.4X15 PH.
28	1502035	HANDLE
29	2023022	WASHER
31	1528020	CUTTER CAP SCREW
33	1573024	FLAT HD. SCREW M. 6X10
34	2085002	HEX. NUT M.6
35	1973020	FLAT HD. SCREW M. 4X10 PH.
36	1528022	SHAFT STOP



## CO15E

<b><u>Virutex</u></b>			
50 Hill Street, #509			
Southampton, NY 11968			
Phone: 1-800-868-9663			
Fax: 631-537-2396			
PARTS LIST			
<b>1500100</b>		<b>CO15E LAMINATE CUTTER</b>	
			<b>2008</b>
<b>POS.</b>	<b>CODE</b>	<b>ITEM</b>	<b>List price</b>
1	1502174	REGULATING KNOB	\$7.50
3	7978004	SCREW M.4X25 PH.	\$1.88
4	1519131	LABEL	
5	1502123	REGULATING HOLDER	\$11.25
6	1672008	PAN HD. SCREW M. 4X10 PH.	\$2.06
7	1685018	SQUARE NUT M.4	\$1.00
8	1528018	UPPER CUTTER SHAFT	\$18.75
9	1527101	SHAFT	\$16.88
10	1501035	SLIDE	\$16.88
11	1533004	ADAPTING PLATE	\$3.75
12	1506126	ALUMINIUM BODY	\$68.00
13	7575014	HEX. SOCKET SET SCREW M.4X10	\$1.00
15	1516146	LENGHT SCALE	\$3.75
16	1575026	HEX. SOCKET SET SCREW M.6X8	\$1.00
18	1528019	LOWER CUTTER SHAFT	\$18.75
19	1511009	NEADLE BEARING K	\$18.75
20	T78B	SET TWO WHEEL CUTTERS T78/AH97	\$26.00
21	6478002	SCREW M4X12 PH	\$1.00
22	1500099	LAMINATE FENCE-ASS'Y	\$15.00
23	1506225	METAL BRACKET	\$17.50
24	1025101	KNOB M6X17	\$6.56
25	1502222	BRACKET STOPPER	\$1.88
26	2024084	SPRING WASHER E=0,4	\$1.00
27	8678009	SCREW M.4X15 PH.	\$1.00
28	1502035	HANDLE	\$15.00
29	2023022	WASHER	\$1.00
31	1528020	CUTTER CAP SCREW	\$6.00
33	1573024	FLAT HD. SCREW M. 6X10	\$1.88
34	2085002	HEX. NUT M.6	\$1.00
35	1973020	FLAT HD. SCREW M. 4X10 PH.	\$1.00

CO15E

36	1528022	SHAFT STOP	\$1.00
----	---------	------------	--------