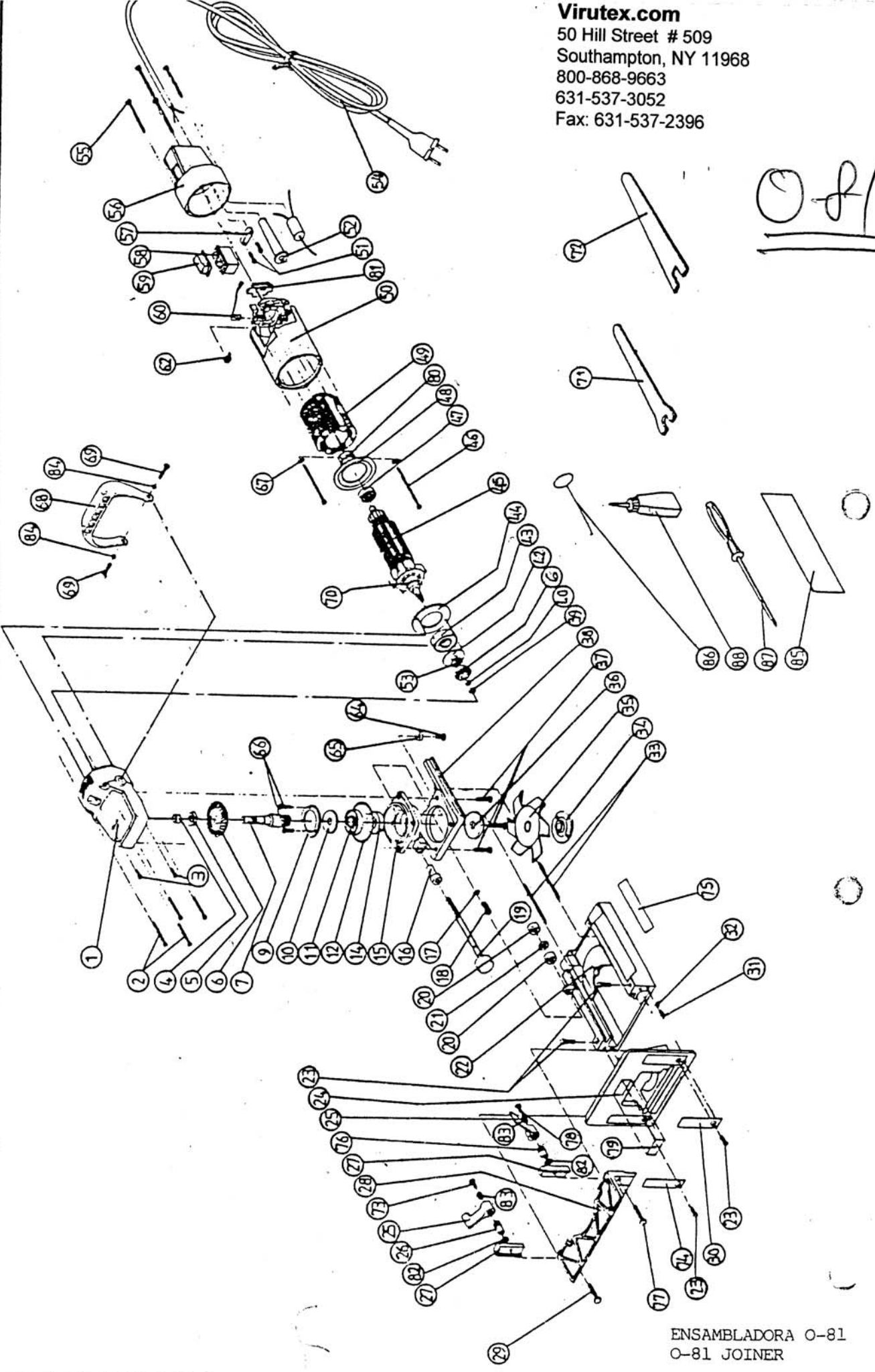


Virutex.com
50 Hill Street # 509
Southampton, NY 11968
800-868-9663
631-537-3052
Fax: 631-537-2396

O-81



ENSAMBLADORA O-81
O-81 JOINER

<u>Virutex</u>			
50 Hill Street, #509			
Southampton, NY 11968			
Phone: 1-800-868-9663			
Fax: 631-537-2396			
		2008	
		<u>Model: O81 - Biscuit Joiner</u>	
PARTS LIST			
1400000-081 JOINER			
			2008
<u>POS.</u>	<u>CODE</u>	<u>ITEM</u>	<u>List price</u>
1	1306028	GEAR COVER	\$38.00
2	1270042	PAN HD. TAPPING SCREW 6X1 1/2 PH.BZ.	\$1.00
3	1372016	PAN HD. SCREW M. 4X6 PH.	\$1.00
4	4011006	NEADLE BEARING HK J810	\$10.00
5	1322078	LOCK NUT	\$6.56
6	1350013	GEAR ASS'Y	\$88.00
7	1420034	SPINDLE	\$26.25
9	1323049	RETAINER	\$1.88
10	1324042	WASHER E=1,85	\$3.75
11	7510015	BALL BEARING 6201-ZZ	\$15.00
12	1323078	WASHER E=0,2	\$2.25
12	1323079	WASHER E=0,I	\$1.88
14	1324040	FELT PACKING	\$2.81
15	1306029	PACKING GLAND	\$26.25
16	1402099	STOPPER CONTROL	\$5.06
17	1488028	RETAINING RING D.3,2	\$1.00
18	1426034	SPRING	\$1.88
19	6403030	STOP PLUG	\$8.75
20	1428029	NUT	\$5.25
21	1403055	WASHER	\$1.88
22	1406031	BASE	\$47.50
23	1472017	PAN HD. SCREW M. 4X15 PH.	\$1.00
24	1406032	GUIDE SUPPORT	\$26.25
25	9502059	LEVER	\$4.69
26	1422095	RIGHT NUT	\$5.25
27	1402097	BRACKET	\$3.75
28	1406033	REVERSIBLE GUIDE	\$21.25
29	1477009	RIGHT SCREW M. 5X20	\$1.13
31	1428026	HOLDING TIPS	\$1.50
32	1426033	SPRING	\$1.13
33	1426032	SPRING	\$2.81
34	1422087	BLADE FIANGE	\$16.25
35	AB-11B	Blade (O81N/AB11)	\$58.00
36	1422086	BLADE HOLDER	\$16.25
37	3570025	PAN HD. TAPPING SCREW 8X7/8 PH.BZ.	\$1.00
38	1406030	SLIDE	\$26.25
39	1322080	GEAR NUT	\$3.00

40	1383003	WASHER AET D.6,4	\$1.00
42	1324041	WASHER E=2,85	\$6.00
43	2310003	BALL BEARING 6002-ZZ	\$15.00
44	1333027	RETAINER	\$6.38
45	1351023	ARMATURE ASS'Y 110 V.	\$89.00
46	1270019	PAN HD. TAPPING SCREW 6X67 PH.B.	\$1.00
47	1210019	BALL BEARING 607-Z	\$9.38
48	1202052	FAN GUIDE	\$6.00
49	5455051	STATOR ASS'Y 110 V.	\$79.00
50	1250007	HOUSING ASS'Y	\$33.75
51	1970001	PAN HD. TAPPING SCREW 8X1/2 PH.B.	\$1.00
52	8002043	CORD ARMOR	\$4.69
53	1380024	WASHER 8,2XI9XO,I	\$1.00
54	2300030	CORD ASS'Y (AMERICA)	\$26.25
55	1270021	PAN HD. TAPPING SCREW 6X1 3/4 PH.B.	\$1.00
56	1202078	END COVER (BLACK)	\$11.25
57	4302025	CORD CLAMP	\$1.88
58	1215015	SWITCH	\$27.00
59	1203066	SWITCH PROTECTION	\$2.81
60	1217006	CARBON BRUSHES SET	\$15.00
62	1226013	BRUSH SPRING	\$5.63
64	7070023	FLAT HD. TAPPING SCREW 6X1/2 PH.B.	\$1.00
65	1422088	SLIDE STOP	\$1.69
66	1370002	PAN HD. TAPPING SCREW 6X3/8 PH.BZ.	\$1.00
67	3581004	TOOTHED WASHER "A" D.3	\$1.00
68	1402083	HANDLE	\$13.50
69	1475027	HEX. SOCKET HD. CAP SCREW M. 10X15	\$1.69
70	1288012	RETAINING RING WR-15	\$1.00
71	1323077	WRENCH	\$7.13
72	1423086	WRENCH	\$8.75
73	6673010	RIGHT FLAT HD. SCREW M. 5X8 PH.	\$1.00
76	1422094	LEFT NUT	\$3.75
77	1477010	LEFTSCREW (LOUNTERCLOCK-WISE) M. 5X20	\$1.13
78	1473013	LEFT FLAT HD. SCREW M. 5X8 PH.	\$1.00
79	1416095	VIRUTEX LABEL	
80	1204003	BEARING HOLDER	\$2.81
81	1203079	DUST PROTECTION	\$3.75
82	2280004	WASHER	\$1.00
83	1426051	SPRING	\$1.13
84	4383009	WASHER	\$1.00
86	1499029	CROOK	\$3.75
87	1499031	SCREW-DRIVER	
88	1499032	OIL POT	
	5493001	CARRYING BOX	