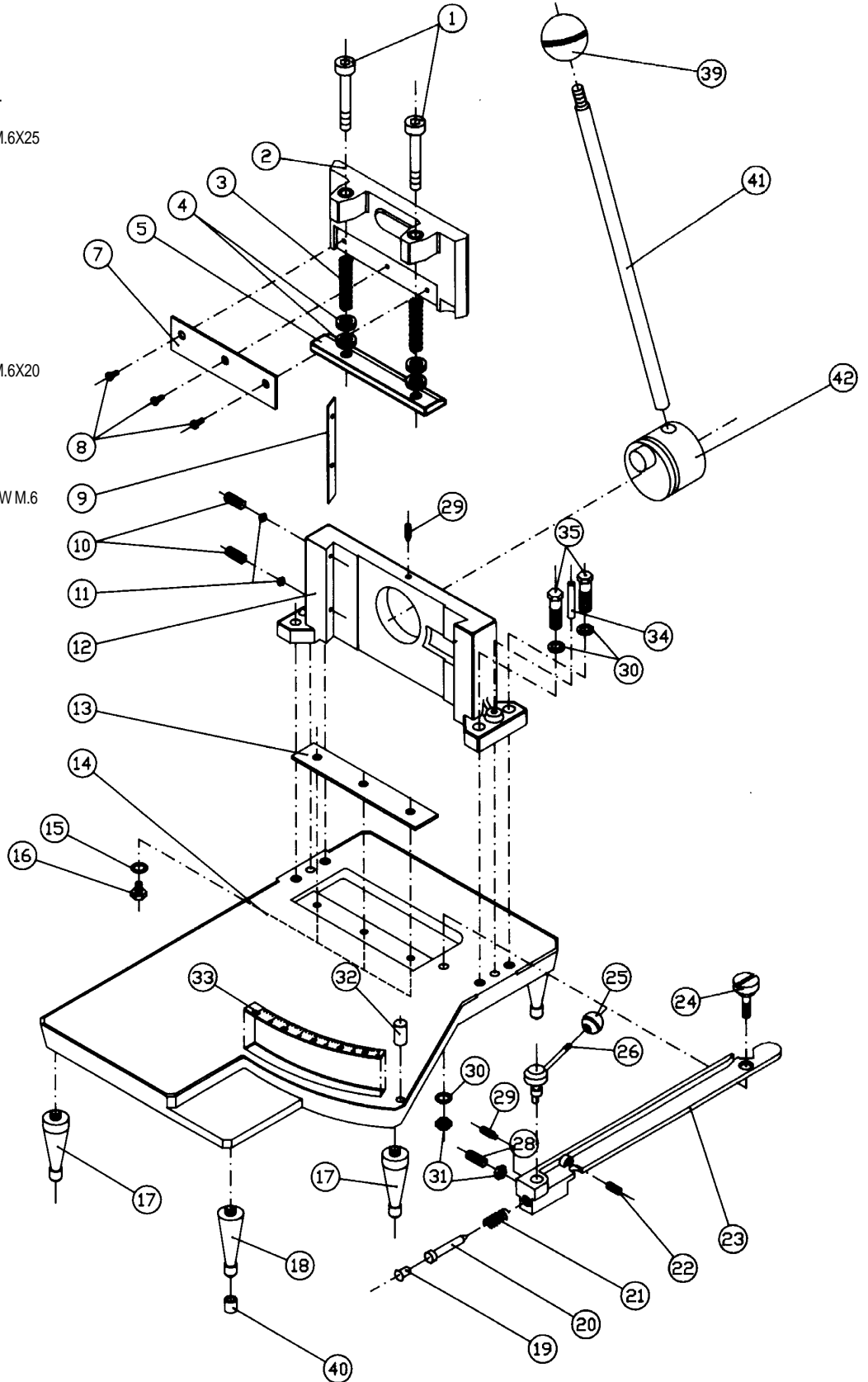


Technical information
Explosion drawing and parts list

Mitering cutter U78 (Ref. 5500000)
Edition 920129A

EXPLOSION DRAWING

- | Pos. | Code | Item |
|------|---------|------------------------------|
| 1 | 5527081 | CLAMP BOLT |
| 2 | 5506027 | BLADE HOLDER |
| 3 | 4026006 | SPRING |
| 4 | 5527086 | REGULATING NUT |
| 5 | 5527083 | LAMINATE CLAMP |
| 7 | 5531012 | UPPER BLADE U-78 |
| 8 | 5572013 | PAN HD. SCREW M. 5X10 PH. |
| 9 | 5533013 | ADAPTING PLATE |
| 10 | 5575016 | HEX. SOCKET SET SCREW M.6X25 |
| 11 | 2085002 | HEX. NUT M.6 |
| 12 | 5506026 | GUIDE |
| 13 | 5531013 | LOWER BLADE U-78 |
| 14 | 5506025 | TABLE |
| 16 | 2071002 | HEX. HD. SCREW M. 6X10 |
| 17 | 5506023 | LEG |
| 18 | 5506022 | LEG |
| 19 | 5599001 | CAP |
| 20 | 5527084 | HOLDING TIP |
| 21 | 5526029 | SPRING |
| 22 | 5575018 | HEX. SOCKET SET SCREW M.6X20 |
| 23 | 5506024 | MITER FENCE |
| 24 | 5527085 | FENCE SHAFT |
| 25 | 5525038 | KNOB D.20 |
| 26 | 5546028 | LEVER |
| 28 | 5575019 | SET SCREW M.8X20 |
| 29 | 5502047 | NYLON SLOTTED SET SCREW M.6 |
| 30 | 1180003 | WASHER |
| 31 | 1185003 | HEX. NUT M.8 |
| 32 | 5528005 | 45 DG. STOP |
| 33 | 5516059 | MITER SCALE |
| 34 | 5588027 | SPRING PIN 5X30 |
| 35 | 9071008 | HEX. HD. SCREW M. 8X30 |
| 39 | 5525037 | KNOB D.40 |
| 40 | 5504019 | LEG GUARD |
| 41 | 5527082 | LEVER ROD |
| 42 | 5500089 | ECCENTRIC ASS'Y |
| | 5594039 | CARTON PACKING |



U78

<u>Virutex</u>			
50 Hill Street, #509			
Southampton, NY 11968			
Phone: 1-800-868-9663			
Fax: 631-537-2396			
Parts list			<u>Model- U78</u>
			2008
<u>POS.</u>	<u>CODE</u>	<u>ITEM</u>	<u>List price</u>
1	5527081	CLAMP BOLT	\$15.00
2	5506027	BLADE HOLDER	\$42.50
3	4026006	SPRING	\$2.50
4	5527086	REGULATING NUT	\$4.38
5	5527083	LAMINATE CLAMP	\$20.00
7	5531012	UPPER BLADE U-78	\$26.00
8	5572013	PAN HD. SCREW M. 5X10 PH.	\$1.88
9	5533013	ADAPTING PLATE	\$8.00
10	5575016	HEX. SOCKET SET SCREW M.6X25	\$1.50
11	2085002	HEX. NUT M.6	\$1.00
12	5506026	GUIDE	\$40.00
13	5531013	LOWER BLADE U-78	\$26.00
14	5506025	TABLE	\$88.75
15	4380016	WASHER	\$1.00
16	2071002	HEX. HD. SCREW M. 6X10	\$1.00
17	5506023	LEG (Long - 4 pcs in the tool)	\$11.25
18	5506022	LEG (Short - 1 pc in the tool)	\$11.25
19	5599001	CAP	\$1.88
20	5527084	HOLDING TIP	\$5.63
21	5526029	SPRING	\$1.88
22	5575018	HEX. SOCKET SET SCREW M.6X20	\$1.13
23	5506024	MITER FENCE	\$35.00
24	5527085	FENCE SHAFT	\$13.00
25	5525038	KNOB D.20	\$10.00
26	5546028	LEVER	\$22.50
28	5575019	SET SCREW M.8X20	\$1.88
29	5502047	NYLON SLOTTED SET SCREW M.6	\$11.25
30	1180003	WASHER	\$1.00
31	1185003	HEX. NUT M.8	\$1.00
32	5528005	45 DG. STOP	\$3.75
33	5516059	MITER SCALE	\$7.50

U78

34	5588027	SPRING PIN 5X30	\$1.88
35	9071008	HEX. HD. SCREW M. 8X30	\$1.88
39	5525037	KNOB D.40	\$15.00
40	5504019	LEG GUARD	\$1.88
41	5527082	LEVER ROD	\$18.75
42	5500089	ECCENTRIC ASS'Y	\$34.00
	5594039	CARTON PACKING	